

[www.lkmachinery.com.tw](http://www.lkmachinery.com.tw)

CE ISO 9001

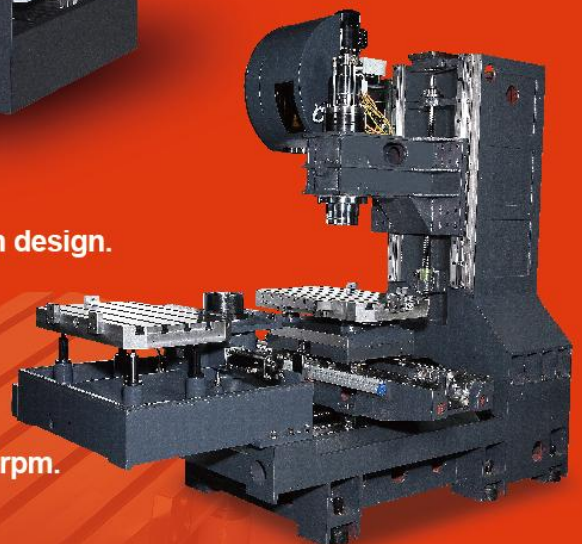


# MT-800P

Vertical Machining Center with Auto Pallet Changer



- Rapid travel 36m/min.
- Ultra-wide-A shaped column design.
- Automatic pallet changer mechanism.
- Built-in twin screw type chip conveyors.
- Direct-driven spindle 10,000rpm.



Model	Unit	MT-800P
<b>X/Y/Z TRAVEL</b>		
X-axis Travel	mm(inch)	850 (33.46)
Y-axis Travel	mm(inch)	500 (19.69)
Z-axis Travel	mm(inch)	550 (21.65)
Distance From Spindle Nose To Table Surface	mm(inch)	150-700 (5.91-27.56)
<b>SPINDLE</b>		
Spindle Speed	rpm	Direct Driven 10,000
Spindle Nose		ISO-40
Spindle Motor(Con.30/min)	kw(hp)	7.5/11(10/15)
<b>TABLE</b>		
Table Size	mm(inch)	850x500(33.46X19.69)
Max.Table Load Capacity	kgs(lbs)	350(771.62)
APC Change Time	sec	12(180 ° Swing)
T-Slot Size(WidthXNo.XPitch)mm(inch)		18x5x100(0.71X5X3.94)
<b>RAPID TRAVEL</b>		
Feed Motor(X/Y/Z)	kw(h- p)m/min(ipm)	2/2/3(2.68/2.68/4.02)
Rapid Travel(X/Y/Z)		36/36/36(1417/1417/1417)
Cutting Speed Rate	m/min(ipm)	1-20(40-787)
<b>MAGAZINE</b>		
Tool Change Type		Arm type
Tool Capacity	set	24
Max. Tool Weight	kgs(lbs)	7(15.43)
Max. Tool Length	mm(inch)	200(7.87)
Max. Tool Diameter	mm(inch)	75(2.95)/Without adjacent tools 150(5.91)
Tool Change Time(T-T)	sec	1.5
Tool Change Time(C-C)	sec	4.5
<b>OTHERS</b>		
Machine Size(LXWXH)	mm(inch)	3500x2300x2500(138X91X98)
Net Weight	kgs(lbs)	6700(14770)
Gross Weight	kgs(lbs)	7130(15718)
Power Supply	KVA	25
Water Tank Capacity	L	350
Compress Air Supply	Bar(psi)	4-6(58-87)

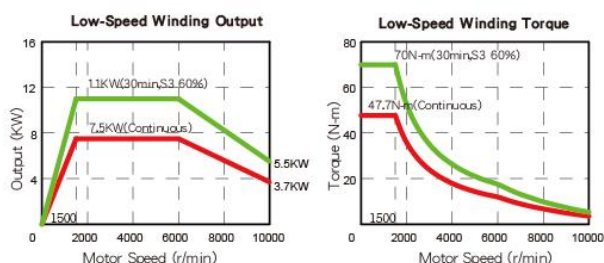
#### Standard Accessories

- Fanuc/Mitsubishi Controller
- Arm Type 24 tool
- ISO-40
- Spindle Oil Cooler
- Spindle Tool Change Air Blow
- MPG Handwheel
- Full Enclosure
- LED Work Light
- Tri Color Indicator Lamp
- Leveling Bolts and Pads
- Tool Box
- Electric Cabinet Heat Exchanger
- Side Flush System
- Cutting Air Blast
- Front Chip Lift Auger

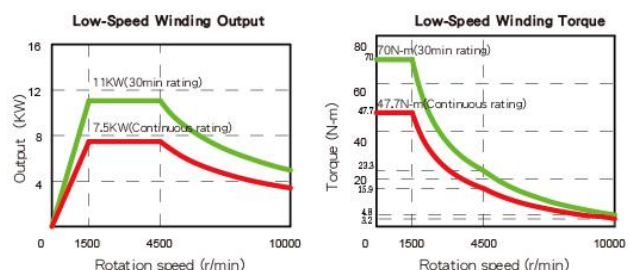
#### Optional Accessories

- Siemens Controller
- Direct Driven 12,000rpm
- Direct Driven 15,000rpm
- Arm Type 30 tool
- Coolant Through Spindle
- Full Enclosure Splash Guard
- Chip Conveyor
- Tool Length Measurement System
- Roller Linear Guideway
- 3 Axes Linear Scales
- 4th Axis Rotary / Tilting Table(GX-210)
- 5th Axis Rotary / Tilting Table(GF-170)

#### FANUC Spindle Motor (α 8)



#### Mitsubishi Spindle Motor (SJ-D11)



### L.K. Machinery Corp. (TAIWAN)

No.30, Keyuan Rd., Xitun Dist. Taichung City 40763, Taiwan  
 TEL: +886-4-2461-9797 FAX: +886-4-2461-1555  
 E-mail: lktw\_sales@lkmachinery.com.tw  
 www.lkmachinery.com.tw



2017021000